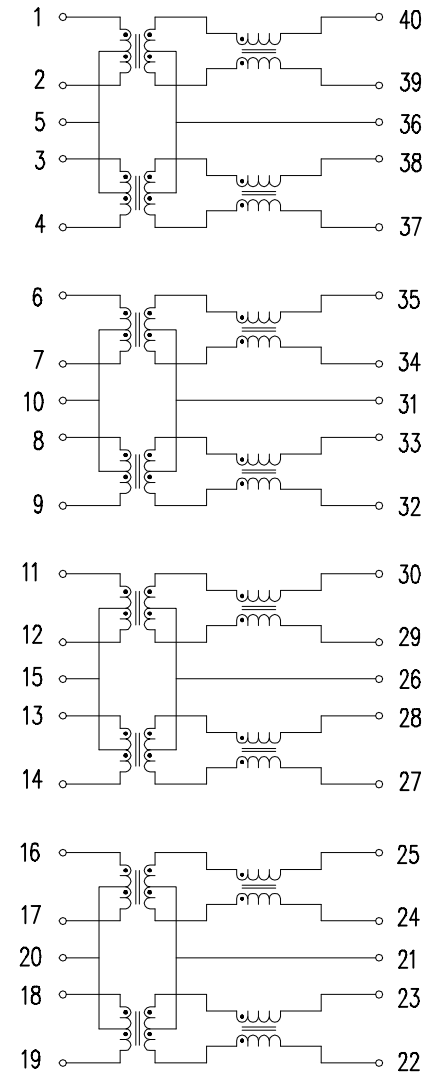


PCB LAYOUT MOUNTING HOLE
TOP VIEW

ELECTRICAL CHARACTERISTICS :

1. TURNS RATIO : TX = 1CT : 1CT \pm 5%
RX = 1CT : 1CT \pm 5%
2. OCL.(@100KHz, 100mV, 8 mA DC): 350uH MIN.
3. INSERTION LOSS : 1-100MHz = -1.0dB MAX.
3. CROSS TALK : 1-30MHz = -42dB MIN.
60MHz = -40dB MIN.
80-100MHz = -38dB MIN.
4. RETURN LOSS : 1-30MHz = -18dB MIN.
60MHz = -12dB MIN.
80MHz = -10dB MIN
- 5 CMRR : 1-30MHz = -45dB MIN.
60MHz = -40dB MIN.
80-100MHz = -35dB MIN.
6. HI-POT (@1500Vrms, 1mA, 2SEC) :PRI-SEC.
7. RoHS COMPLIANT.



UNLESS OTHERWISE SPECIFIED ALL TOLERANCES ARE \pm 0.25

						AOEM	TITLE 10/100 BASE-TX QUAD PORTS TRANSFORMER	
							DWG. NO. ATPL-M2	
RELEASE						UNITS:	SAFETY	
NO:	DESCRIPTION	DATE	BY	CHK	APPD	DATE	P/N:	SHEET 1 OF 1
REVISIONS						DRAW		